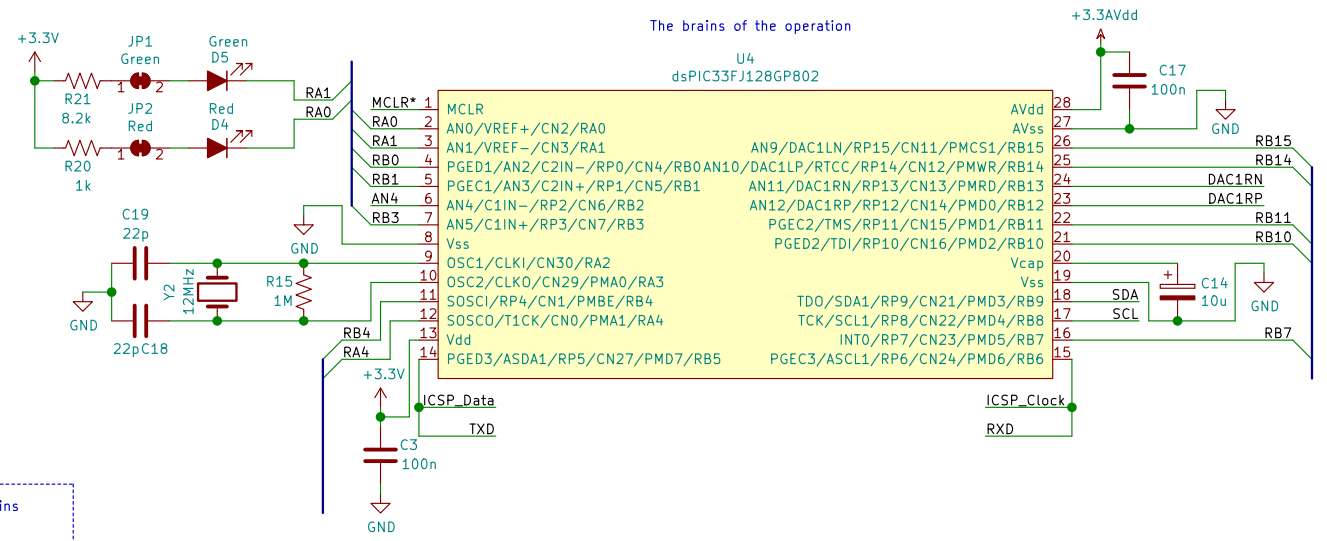
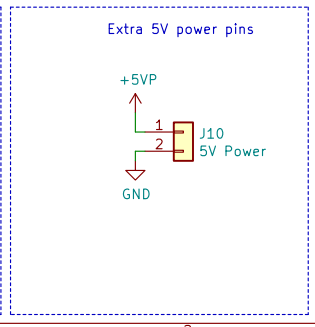
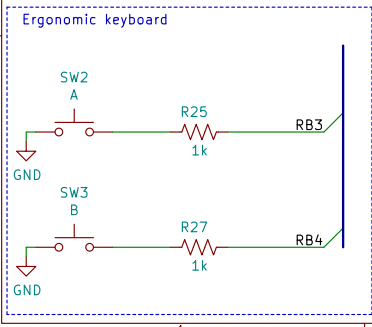
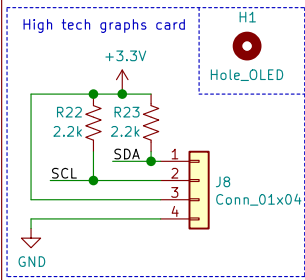
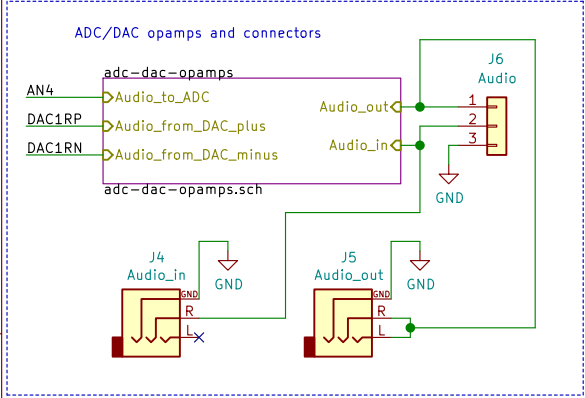
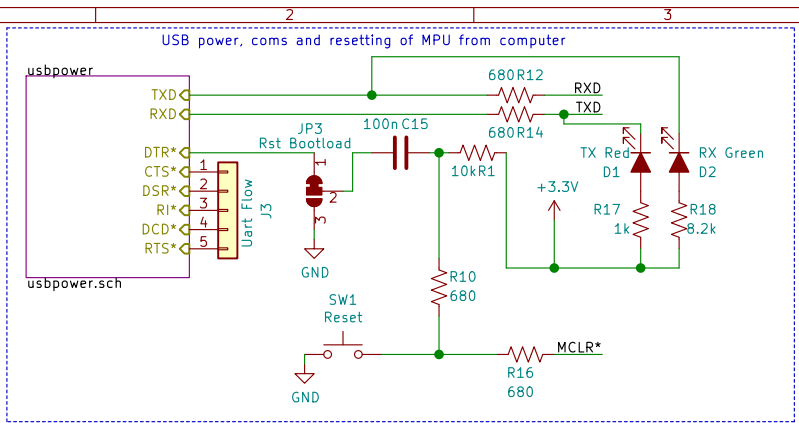
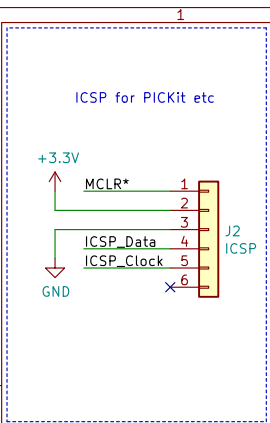
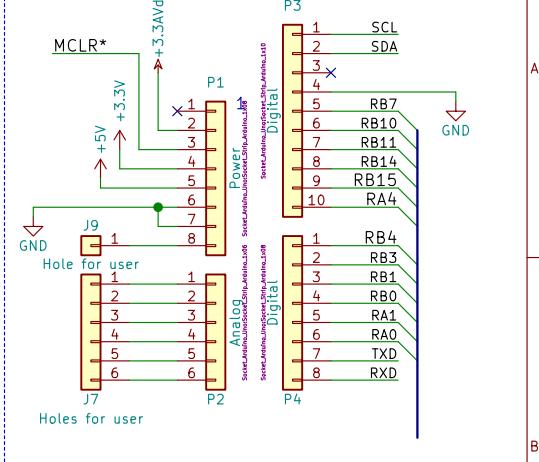
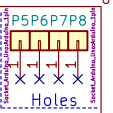


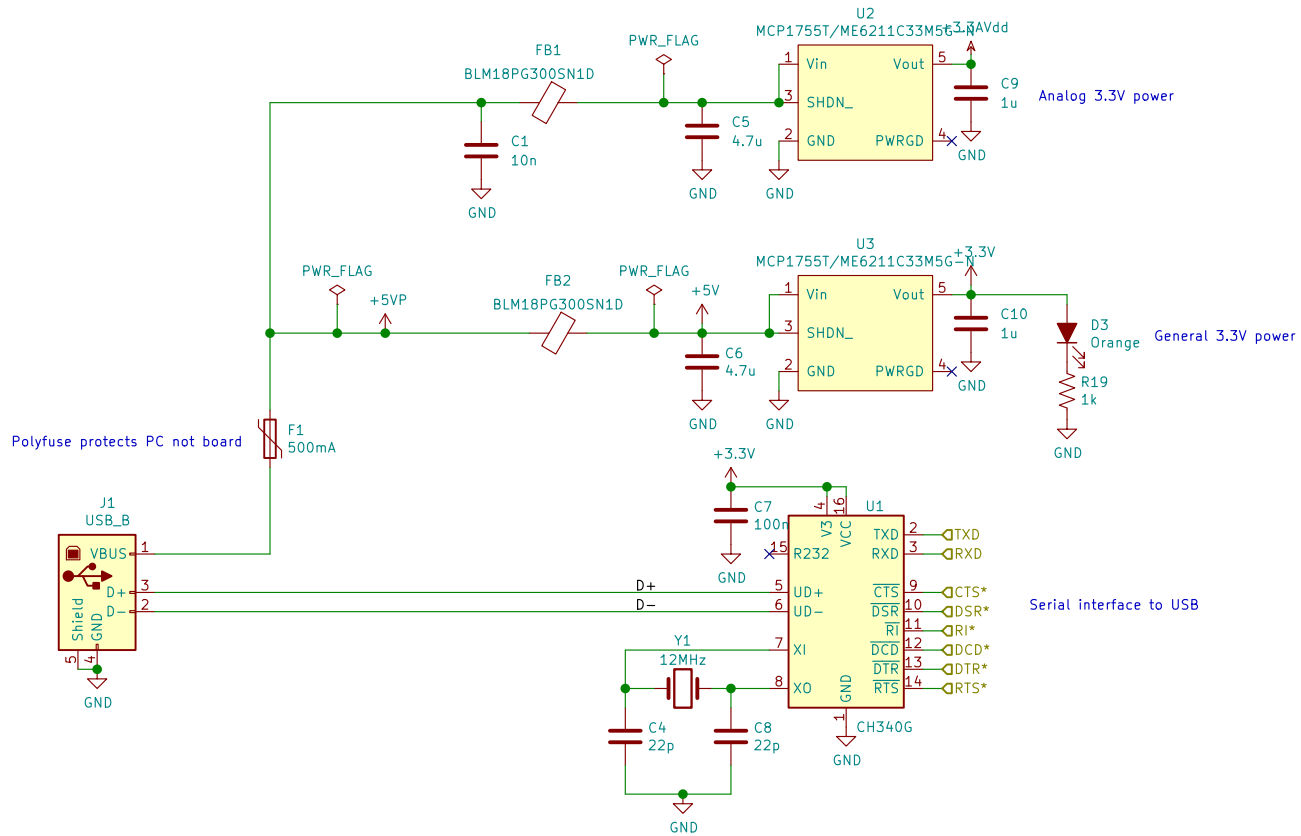


For Arduino Uno shields. Pin disposition is a bit different due to fewer pins and a different processor. Some shields will work while others wont without modifications.



Jontisoft	
Sheet: /	
File: jdsp2.sch	
Title: JPIC	
Size: A4	Date: 2019-02-23
KiCad E.D.A. kicad (5.0.2)-1	Rev: 1.1a
	Id: 1/3

PWR_FLAG? isn't clear that pin 1 of USB_B (power output) is doing the powering even if it's going through a few passives?



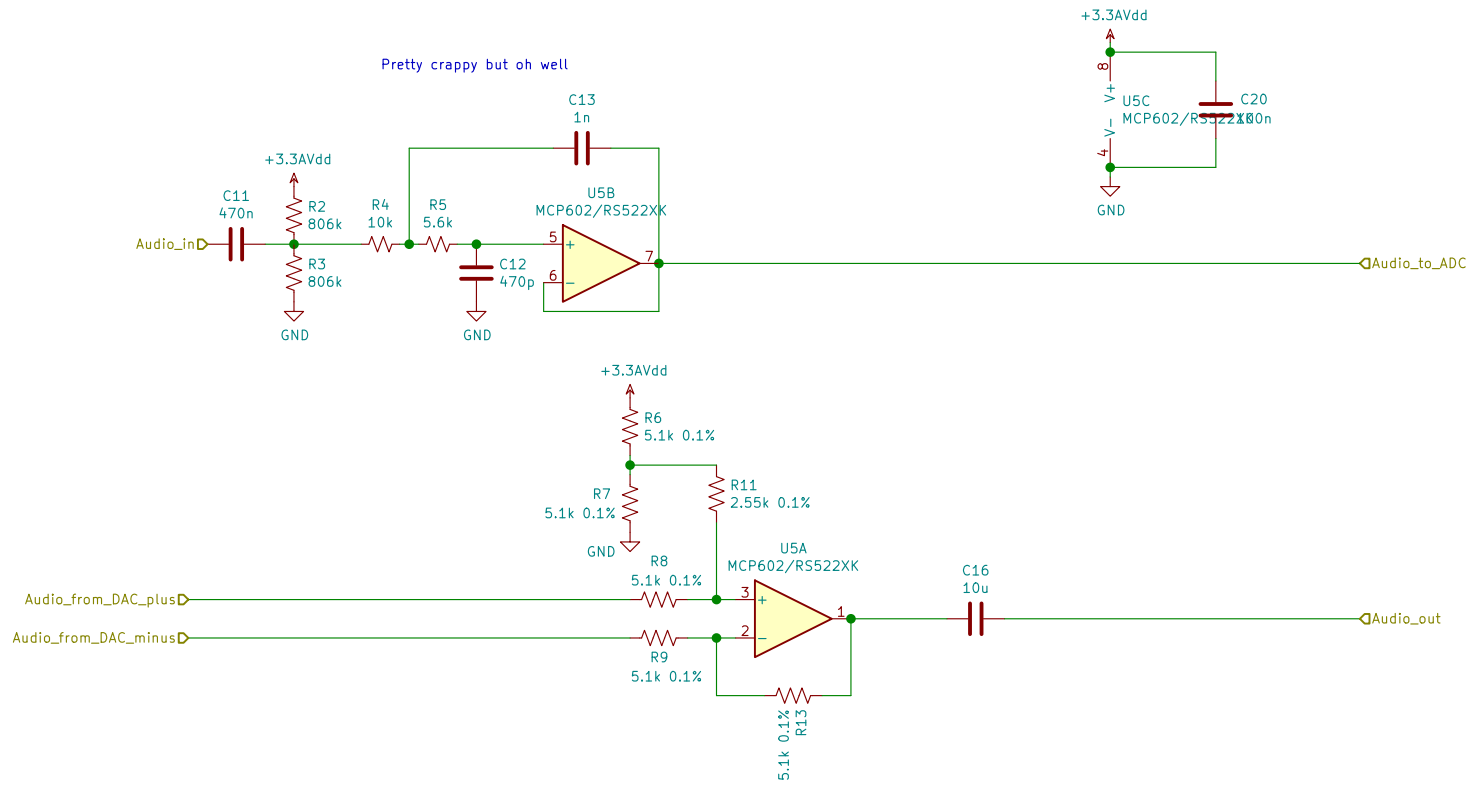
Jontisoft

Sheet: /usbpower/
File: usbpower.sch

Title: JPIC

Size: A4 | Date: 2019-02-23
KiCad E.D.A. kicad (5.0.2)-1

Rev: 1.1a
Id: 2/3



Jontisoft

Sheet: /adc-dac-opamps/
File: adc-dac-opamps.sch

Title: JPIC

Size: A4 Date: 2019-02-23
KiCad E.D.A. kicad (5.0.2)-1

Rev: 1.1a
Id: 3/3